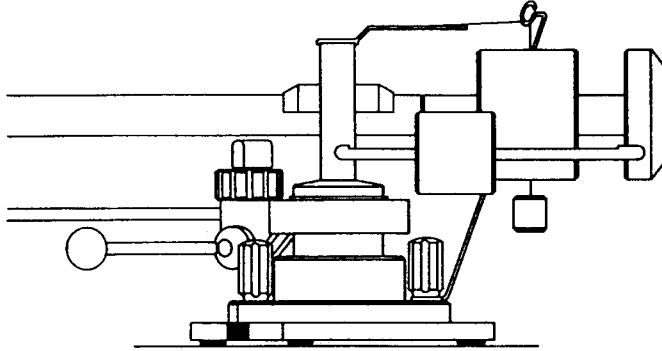


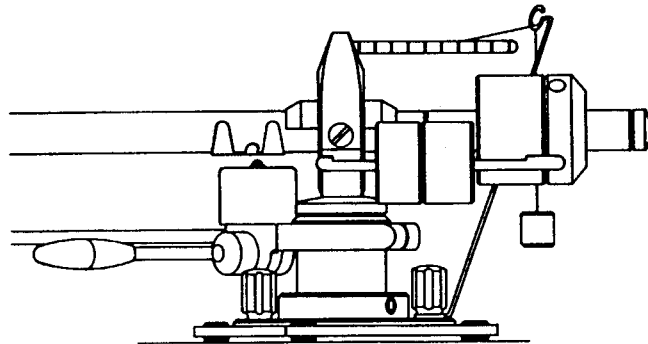
# SME

In order to handle your recent service enquiry it will be necessary to identify your present arm from the drawings.

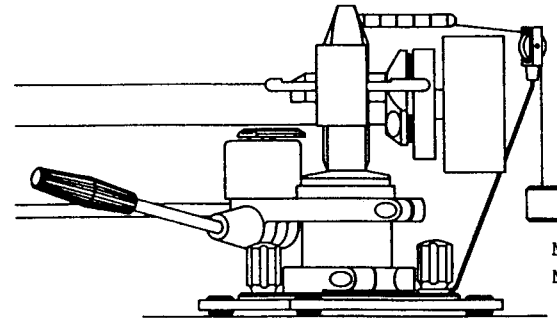
Please let us know which model your arm is and restate your enquiry.



SERIES I MODEL 3009  
MODEL 3012

SERIES II MODEL 3009  
MODEL 3012  
SERIAL No.

SERIES II IMPROVED  
MODEL 3009 NON-DETACHABLE SHELL  
MODEL 3009/S2 DETACHABLE SHELL  
SERIAL No.
