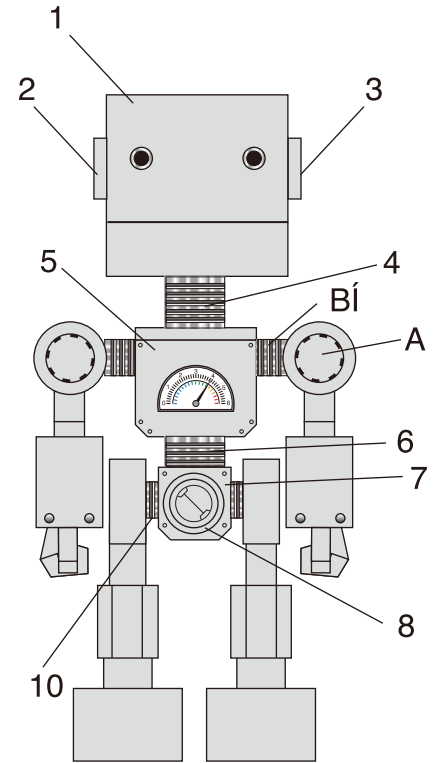
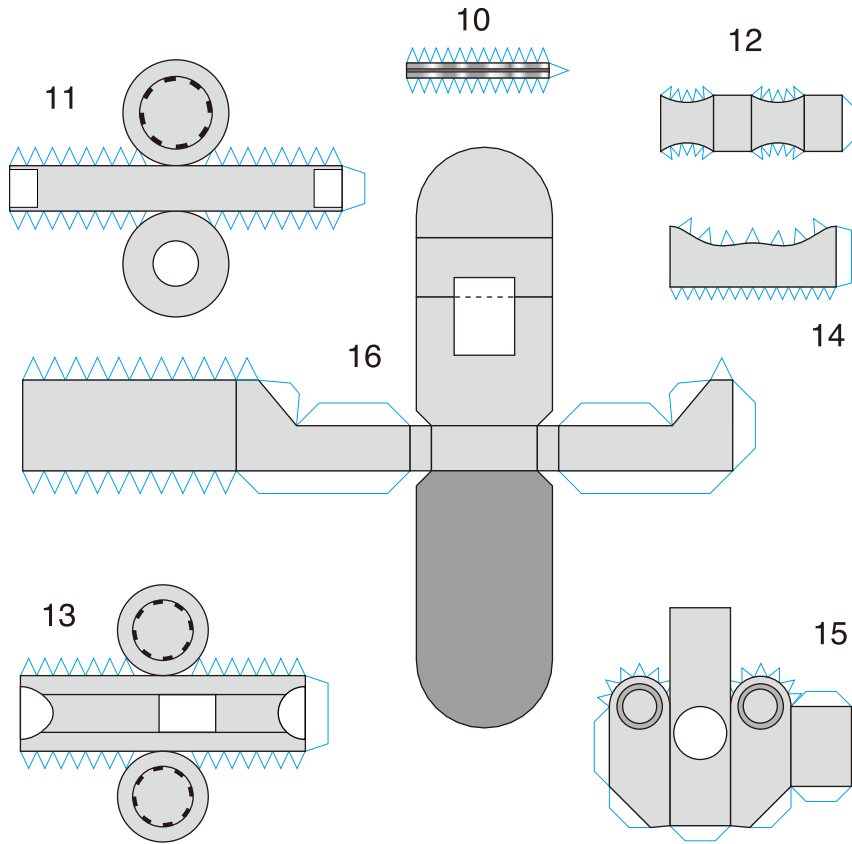


Right leg



Left leg

