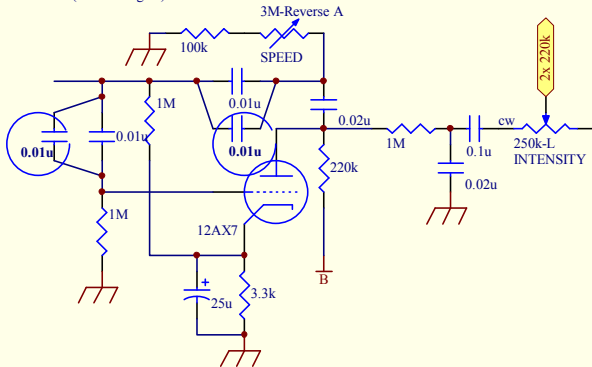


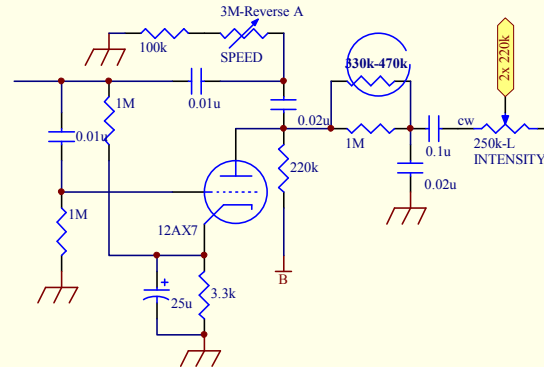
VIBRATO LOW SPEED Mod

Add 2x 0.01u (250V or higher)



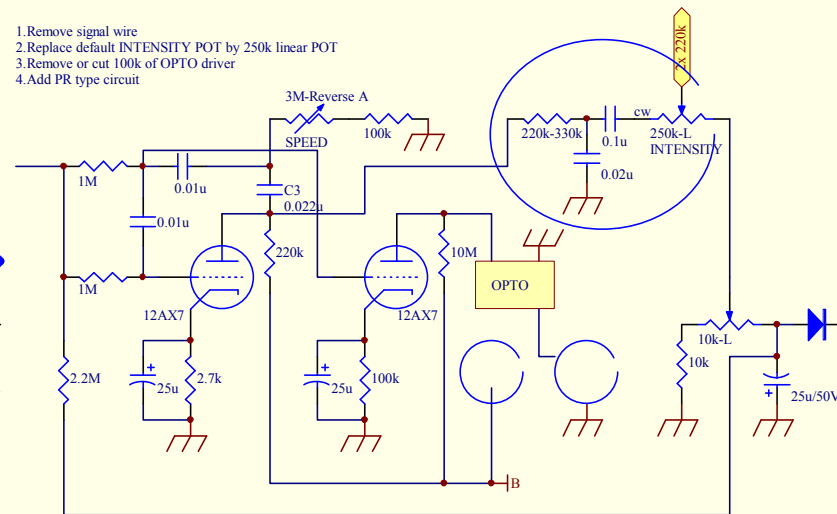
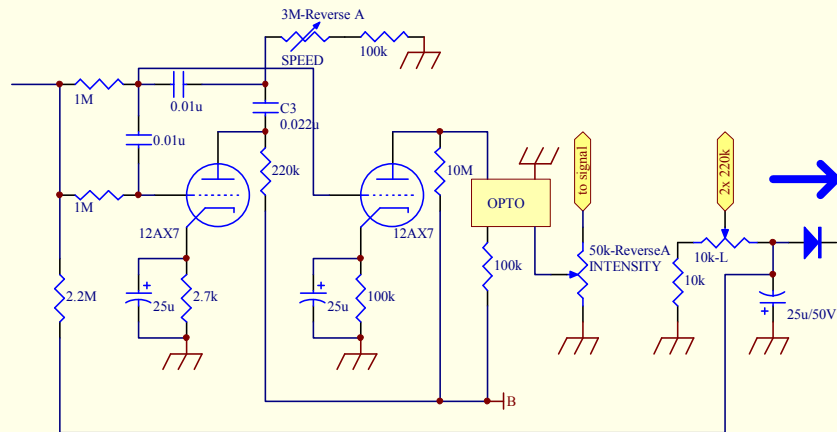
VIBRATO DEPTH Mod

Add 1x 330k or 470k



VIBRATO Optocoupler to Bias conversion Mod

- 1.Remove signal wire
- 2.Replace default INTENSITY POT by 250k linear POT
- 3.Remove or cut 100k of OPTO driver
- 4.Add PR type circuit



Title **Fender Princeton Reverb VIBRATO Mod**

Copyright 2011 Masahiro Lee

Size A4 Number Revision

Ver.1

Date: 1-Feb-2011 Sheet of

File: E:\Protel sim\AMP\1 Fender\Princeton\sim\Princeton.ddb